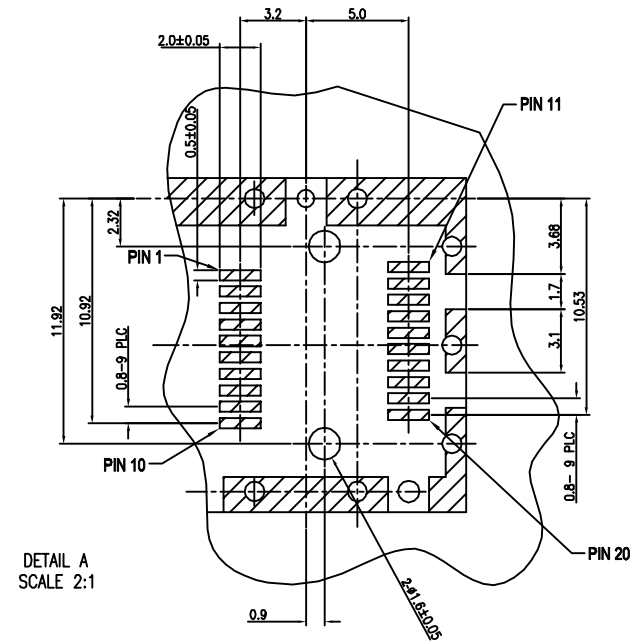


PCB LAYOUT THICKNESS=3.0mm (TOP VIEW)



DETAIL A
SCALE 2:1

8 | 7 | 6 | 5 | 4 | 3 | 2 | 1

H
G
F
E
D
C
B
A

		RoHS Compliant			
TOLERANCES EXCEPT AS NOTED MM .0 ± 0.2 ± .00 ± 0.15 ± .000 ± 0.075 ± ANGLES ± 0.5		TITLE SFP CAGE 1 BY 1 THROUGH HOLE (Non-Logo)			
DETACHED LISTS THIRD ANGLE PROJECTION		DFTO Jack DATE 12/14/06'		DRAWING NO. SFP CAGE005-L /PART NO.	
SCALE : 1:1		DO NOT SCALE DRAWING		SIZE A3	REV 0
				SHEET 2 OF 2	

Mouser Electronics

Authorized Distributor

Click to View Pricing, Inventory, Delivery & Lifecycle Information:

Pulse:

[SFPCAGE005-L](#)