

# Commercial Grade Attenuators

## CGA-1040 Series

### Features

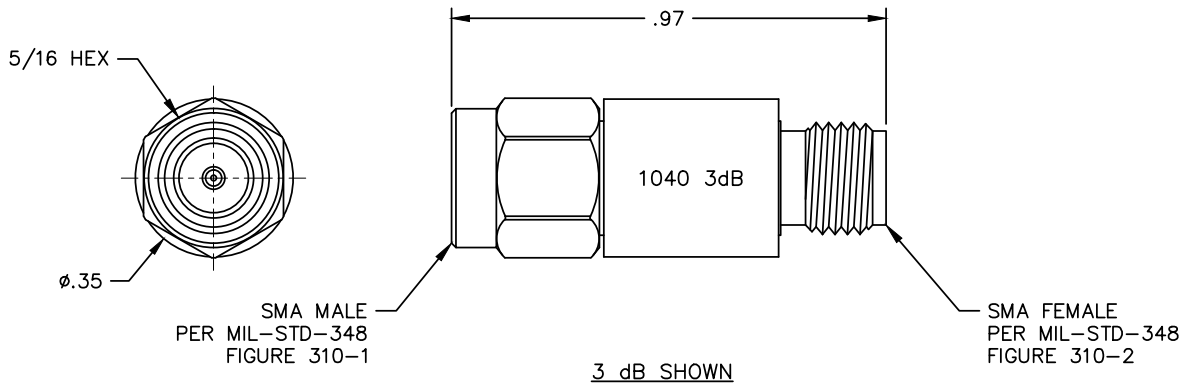
- Best combination of price and performance
- For general commercial use
- 4 GHz operation
- Passivated stainless steel construction
- SMA Male to SMA Female

### Applications

- Cellular base stations
- Public safety systems
- Wi-Fi networks hardware
- Active antenna systems
- 5G network hardware
- GPS systems



Part Number	Attenuator	Attenuation	Power	Frequency
CGA-1040-01-SMA-02	SMA Male to SMA Female	1 dB	2W	DC-4 GHz
CGA-1040-02-SMA-02	SMA Male to SMA Female	2 dB	2W	DC-4 GHz
CGA-1040-03-SMA-02	SMA Male to SMA Female	3 dB	2W	DC-4 GHz
CGA-1040-04-SMA-02	SMA Male to SMA Female	4 dB	2W	DC-4 GHz
CGA-1040-05-SMA-02	SMA Male to SMA Female	5 dB	2W	DC-4 GHz
CGA-1040-06-SMA-02	SMA Male to SMA Female	6 dB	2W	DC-4 GHz
CGA-1040-08-SMA-02	SMA Male to SMA Female	8 dB	2W	DC-4 GHz
CGA-1040-10-SMA-02	SMA Male to SMA Female	10 dB	2W	DC-4 GHz
CGA-1040-12-SMA-02	SMA Male to SMA Female	12 dB	2W	DC-4 GHz
CGA-1040-15-SMA-02	SMA Male to SMA Female	15 dB	2W	DC-4 GHz
CGA-1040-20-SMA-02	SMA Male to SMA Female	20 dB	2W	DC-4 GHz



## Commercial Grade Attenuators CGA-1040 Series

### Materials

<b>Housing</b>	Passivated stainless steel
<b>Coupling nut</b>	Passivated stainless steel
<b>Male Center Contact</b>	Gold plated brass
<b>Female Center Contact</b>	Gold plated beryllium copper

### Environmental

<b>Operating Temperature</b>	-65° to 85°C
------------------------------	--------------

### Electrical

<b>Frequency of Operation</b>	DC-4GHz						
<b>Impedance</b>	50Ω (Nominal)						
<b>Attenuation values available</b>	1, 2, 3, 4, 5, 6, 8, 10, 12, 15, 20 dB						
<b>Attenuation Accuracy</b>	<table border="1"> <tr> <td>1 and 2 dB</td> <td>±0.35 dB</td> </tr> <tr> <td>3 to 6 dB</td> <td>±0.40 dB</td> </tr> <tr> <td>7 to 20 dB</td> <td>±0.55 dB</td> </tr> </table>	1 and 2 dB	±0.35 dB	3 to 6 dB	±0.40 dB	7 to 20 dB	±0.55 dB
1 and 2 dB	±0.35 dB						
3 to 6 dB	±0.40 dB						
7 to 20 dB	±0.55 dB						
<b>VSWR</b>	1.18:1 (max.)						
<b>Input Power (at 25°C)</b>	2W (CW)						

# Mouser Electronics

Authorized Distributor

Click to View Pricing, Inventory, Delivery & Lifecycle Information:

## Cinch Connectivity Solutions:

[CGA-1040-03-SMA-02](#) [CGA-1040-01-SMA-02](#) [CGA-1040-06-SMA-02](#) [CGA-1040-20-SMA-02](#) [CGA-1040-02-SMA-02](#)  
[CGA-1040-10-SMA-02](#)