

BACKSHELL KIT INCLUDES:

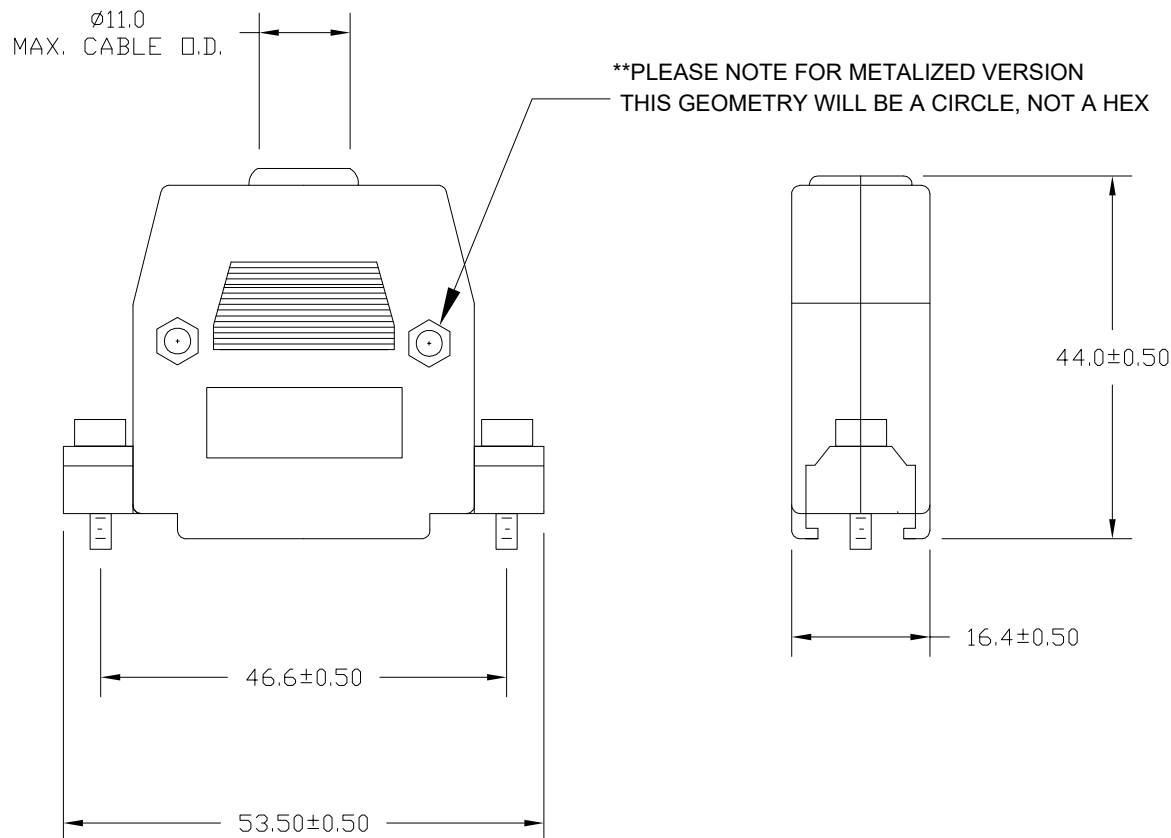
- (2) BACKSHELL HALVES
- (2) HOUSING SCREWS
- (2) HOUSING NUTS
- (2) 4-40 MOUNTING SCREWS
- (2) SADDLE WASHERS
- (2) STRAIN RELIEF CLAMPS
- (2) STRAIN RELIEF SCREWS

METALIZED PLASTIC:

MATERIAL: ABS HIGH TEMPERATURE PLASTIC UL94HB
 METALIZED PLATING: NICKEL OVER COPPER
 OPERATING TEMP: -35°C TO 85°C

PLASTIC:

MATERIAL: ABS HIGH TEMPERATURE PLASTIC UL94HB
 OPERATING TEMP: -35°C TO 85°C



977-025-0Y0 R YY 1

SERIES _____
 POSITIONS _____
 025
 MATERIAL _____
 010 = PLASTIC
 020 = METALIZED PLASTIC
 RoHS COMPLIANT _____
 COLOR _____
 03 = GREY (ONLY USE WITH 010 OPTION ABOVE)
 12 = METALIZED (ONLY USE WITH 020 OPTION ABOVE)
 PUT-UP _____
 1 = KIT

RoHS COMPLIANT

UNITS = mm DO NOT SCALE FROM DRAWING

	THESE DRAWINGS AND SPECIFICATIONS ARE THE PROPERTY OF NorComp AND SHALL NOT BE REPRODUCED, COPIED OR USED AS THE BASIS FOR THE MANUFACTURE OR SALE OF APPARATUS WITHOUT WRITTEN PERMISSION.	DRAWN: J. KADEL
		DATE: 08/22/2019

<h1>NorComp</h1>	SCALE: NTS	SHEET 1 OF 1	REV 2
	DWG NO. 977-025-0Y0RYY1		

Mouser Electronics

Authorized Distributor

Click to View Pricing, Inventory, Delivery & Lifecycle Information:

[NorComp:](#)

[977-025-020R121](#) [977-025-010R031](#)