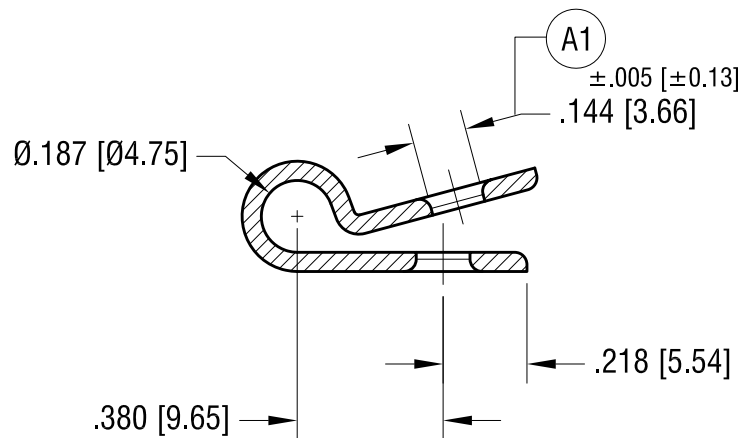
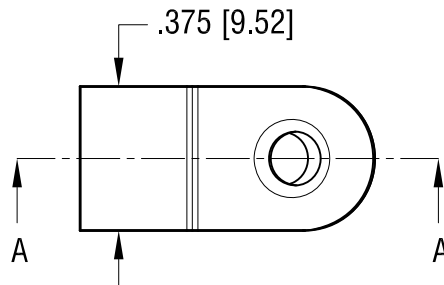


THIS DOCUMENT IS THE PROPERTY OF  
KEYSTONE ELECTRONICS CORP. AND  
SHALL NOT BE REPRODUCED, DISTRIBUTED  
OR USED AS A BASIS FOR MANUFACTURE  
WITHOUT PRIOR WRITTEN PERMISSION  
FROM KEYSTONE ELECTRONICS CORP.

ACTUAL SIZE



SECTION A-A

**KEYSTONE ELECTRONICS CORP.**

www.keyelco.com • NEW HYDE PARK, NY 11040 • Tel (516) 328-7500

PART NAME		NYLON CABLE CLAMP	
MATERIAL		.050 [1.27] TH'K NYLON 6/6	
FINISH	NONE	DRN BY	BOONE
		APP'D	RH
		DATE	11.02.06
		SCALE	2X
TOLERANCES	INCH [MM]	CODE	DWG NO.
DECIMAL	± .005 [± 0.13]	C	7622
ANGULAR	± 1°		
UNLESS OTHERWISE SPECIFIED			

3.03.21	(A1) WAS .140 [3.56] CHANGE AS PER ECN 21-024	A
DATE	DESCRIPTION	REV.

# Mouser Electronics

Authorized Distributor

Click to View Pricing, Inventory, Delivery & Lifecycle Information:

[Keystone Electronics:](#)

[7622](#)