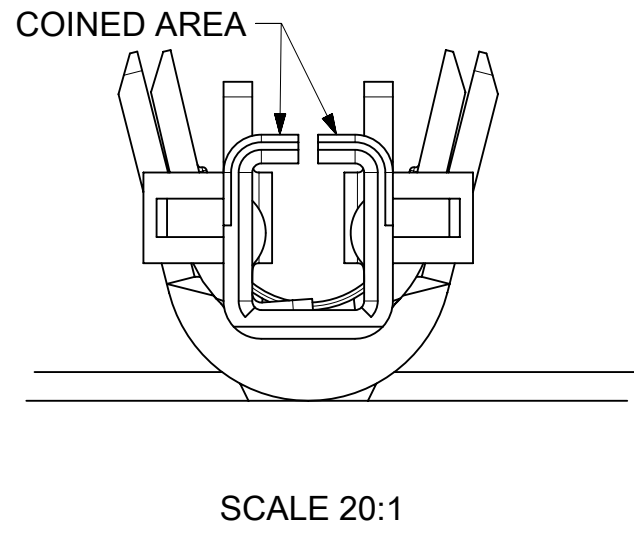
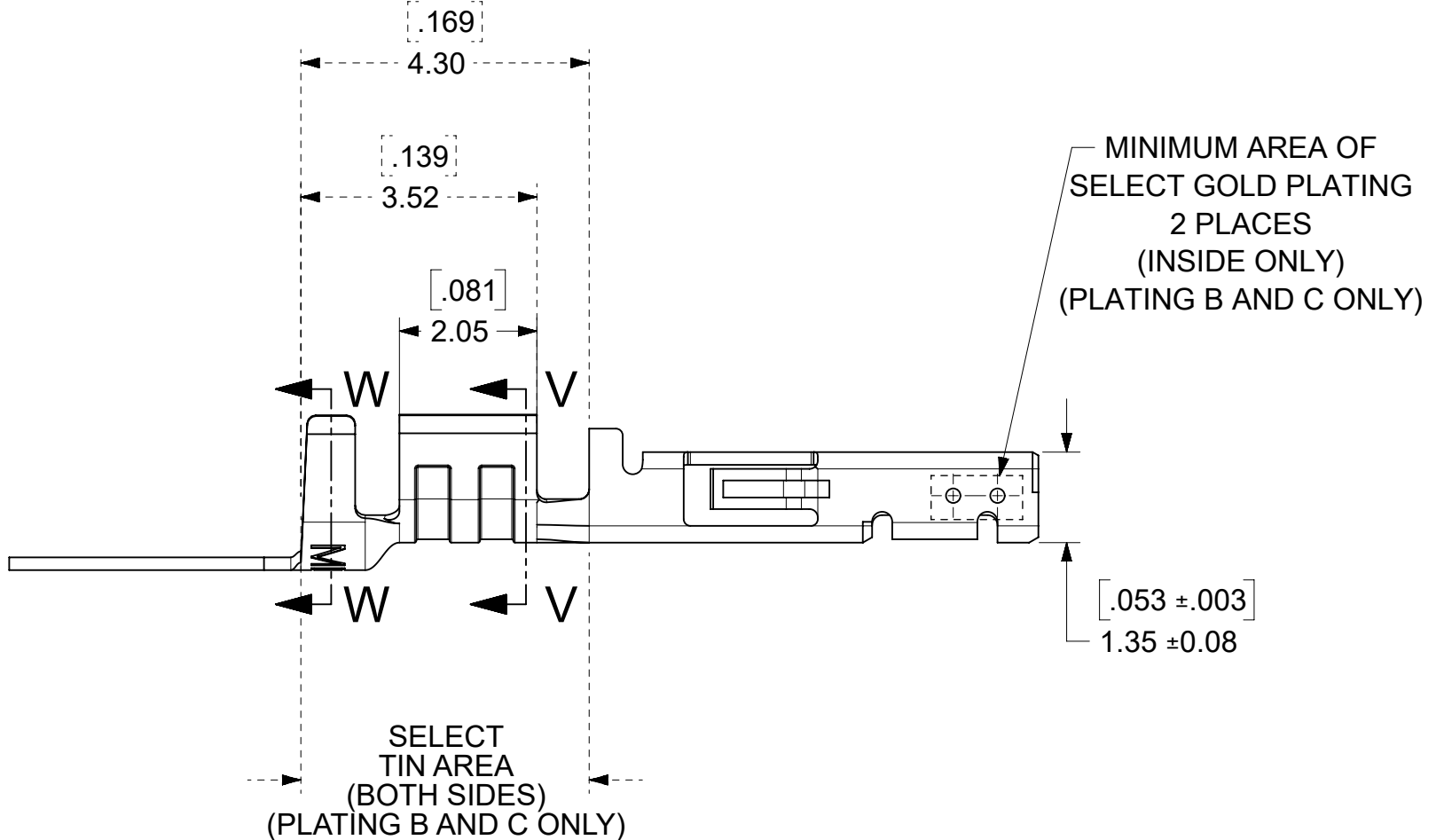
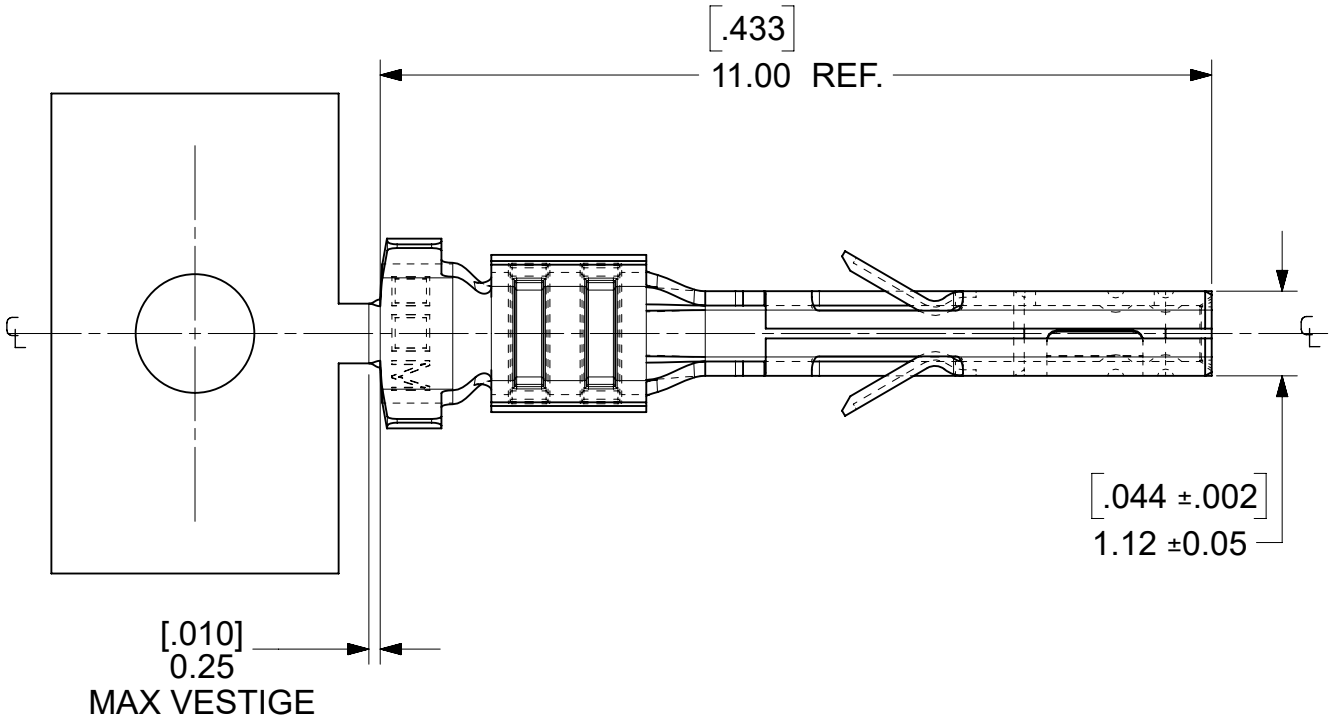
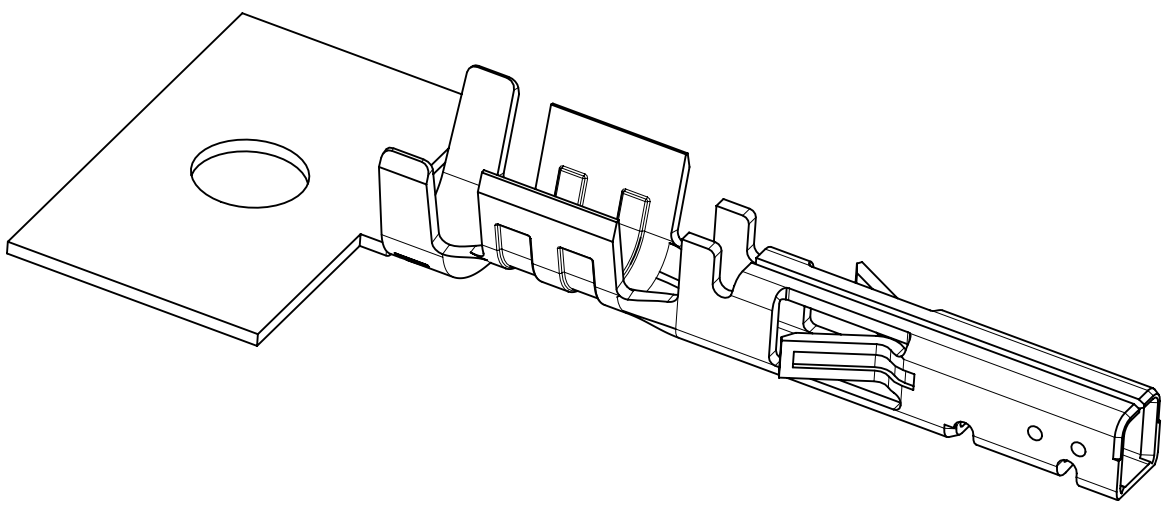
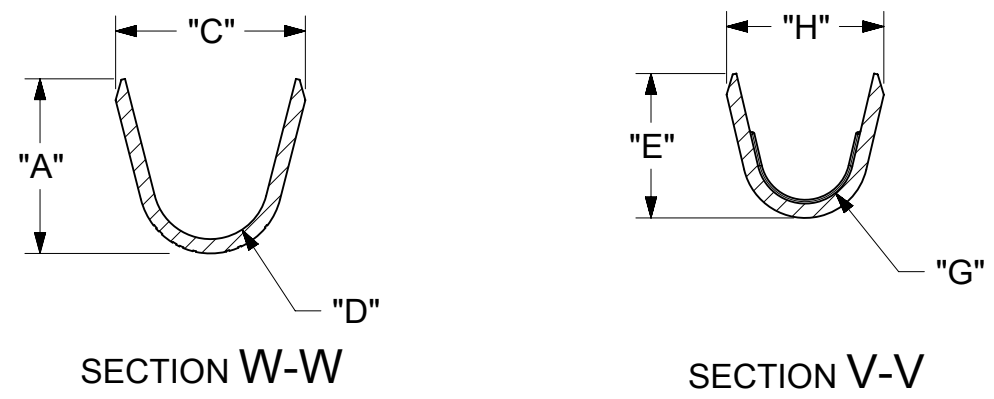


| WIRE SIZE                 | MAX INSULATION | "A"<br>±.012<br>±0.30 | "C"<br>±.012<br>±0.30 | "D"<br>±.005<br>±0.13 | "E"<br>±.012<br>±0.30 | "G"<br>±.005<br>±0.13 | "H"<br>±.012<br>±0.30 |
|---------------------------|----------------|-----------------------|-----------------------|-----------------------|-----------------------|-----------------------|-----------------------|
| 20-24                     | .073/1.85      | .091/2.31             | .099/2.51             | .030/0.76 R.          | .075/1.91             | .025/0.64 R.          | .082/2.08             |
| 26-30                     | .050/1.27      | .075/1.91             | .083/2.10             | .025/0.64 R.          | .058/1.47             | .020/0.51 R.          | .065/1.65             |
| 18 OR 0.75mm <sup>2</sup> | .073/1.85      | .091/2.31             | .099/2.51             | .030/0.76 R.          | .086/2.18             | .029/0.74 R.          | .094/2.39             |

| MATERIAL NUMBER | PLATING | WIRE SIZE (AWG)                            | FORM  |
|-----------------|---------|--|-------|
| 43030-0001      | A       | 20-24                                      | CHAIN |
| 43030-0002      | B       | 20-24                                      | CHAIN |
| 43030-0003      | C       | 20-24                                      | CHAIN |
| 43030-0004      | A       | 26-30                                      | CHAIN |
| 43030-0005      | B       | 26-30                                      | CHAIN |
| 43030-0006      | C       | 26-30                                      | CHAIN |
| 43030-0007      | A       | 20-24                                      | LOOSE |
| 43030-0008      | B       | 20-24                                      | LOOSE |
| 43030-0009      | C       | 20-24                                      | LOOSE |
| 43030-0010      | A       | 26-30                                      | LOOSE |
| 43030-0011      | B       | 26-30                                      | LOOSE |
| 43030-0012      | C       | 26-30                                      | LOOSE |
| 43030-0038      | A       | 18 OR 0.75mm <sup>2</sup><br>(SEE NOTE 10) | CHAIN |
| 43030-0039      | B       | 18 OR 0.75mm <sup>2</sup><br>(SEE NOTE 10) | CHAIN |
| 43030-0040      | C       | 18 OR 0.75mm <sup>2</sup><br>(SEE NOTE 10) | CHAIN |



- NOTES
- 1) MATERIAL: PHOSPHOR BRONZE ALLOY
  - 2) TERMINAL PLATING:  
 "A" - HOT TIN DIP: .000040/0.00102 MIN. OVERALL  
 "B" - .000015/0.00038 MIN. SELECT GOLD  
 .000100/0.00254 MIN. SELECT TIN  
 ALL OVER .000050/0.00127 MIN. NICKEL OVERALL.  
 "C" - .000030/0.00076 MIN. SELECT GOLD  
 .000100/0.00254 MIN. SELECT TIN  
 ALL OVER .000050/0.00127 MIN. NICKEL OVERALL.  
 PLATING FINISHES B AND C ARE POST PLATED.
  - 3) PRODUCT SPECIFICATION: PS-43045, PS-43650, PS-44300-001.
  - 4) PACKAGING SPECIFICATION: PK-43030-001 (REEL), PK-43030-003 (LOOSE).
  - 5) TERMINAL FOR USE IN MICRO-FIT RECEPTACLE SERIES 43025, 43645, 44133, AND 46623. ONLY 20-24 AWG AND 26-30 AWG TERMINALS CAN BE USED IN TPA RECEPTACLE SERIES 171850 AND 172952.
  - 6) FOR TERMINAL ORIENTATION IN RECEPTACLE SEE DRAWINGS FOR RECEPTACLES.
  - 7) THIS TERMINAL IS DESIGNED IN METRIC.
  - 8) MOLEX RECOMMENDS THE USE OF MICRO-FIT TEST PLUG (SERIES 44242) WHENEVER CONTINUITY TESTING IS PERFORMED. TEST PLUGS MUST NOT BE USED TO MAKE OR BREAK UNDER LOAD. MOLEX DOES NOT RECOMMEND USING STANDARD MATING COMPONENTS (SERIES 43020, 43045, 43640, 43650, OR 43031) FOR HARNESS TESTING PURPOSES.
  - 9) TEXT ON PART IS FOR REFERENCE ONLY. TEXT AND TEXT LOCATION MAY VARY DEPENDING ON PART NUMBER AND/OR TOOL.
  - 10) 18 AWG PART NUMBERS ARE DESIGNED FOR 18 AWG 1061 STYLE WIRE OR A .073/1.85 MAXIMUM INSULATION OUTSIDE DIAMETER.

|  |   |                        |  |            |                   |                |              |
|--|---|------------------------|--|------------|-------------------|----------------|--------------|
| FUNCTIONAL SYMBOLS<br>FA = 0<br>FC = 0<br>FP = 0     | THIS DRAWING CONTAINS INFORMATION THAT IS PROPRIETARY TO MOLEX ELECTRONIC TECHNOLOGIES, LLC AND SHOULD NOT BE USED WITHOUT WRITTEN PERMISSION |                        | CURRENT REV DESC: CORRECT 3.52 DIMENSION |            |                   |                |              |
|  | DIMENSION UNITS   | SCALE                  | EC NO: 730513                            |            |                   |                |              |
|  | INCH/MM   | 10:1                   | DRWN: RICARC13                           | 2022/10/28 |                   |                |              |
|  | GENERAL TOLERANCES (UNLESS SPECIFIED)   |                        | CHK'D: MKIPPER                           | 2022/12/01 |                   |                |              |
| DIVISIONAL SYMBOLS                                   | 4 PLACES  | ±                      | MM                                       | INCH       | APPR: XQZHANG     | 2023/05/04     |              |
|  | 3 PLACES  | ±                      | ± 0.01                                   |            | INITIAL REVISION: |                |              |
|  | 2 PLACES  | ±                      | 0.25                                     | ± 0.014    | DRWN: MUELLER     | 2002/08/03     |              |
|  | 1 PLACE   | ±                      | 0.35                                     | ±          | APPR: MARGULIS    | 2002/08/03     |              |
|  | 0 PLACES  | ±                      | ±  |            |                   |                |              |
|  | ANGULAR TOL   | ±                      | 0.5 °                                    |            |                   |                |              |
| DRAFT WHERE APPLICABLE MUST REMAIN WITHIN DIMENSIONS |   | THIRD ANGLE PROJECTION | DRAWING                                  | SERIES     | MATERIAL NUMBER   | CUSTOMER       | SHEET NUMBER |
|  |   |                        | C-SIZE                                   | 43030      | SEE TABLE         | GENERAL MARKET | 1 OF 1       |