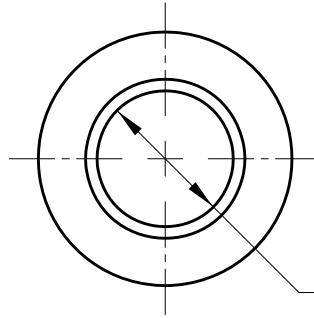
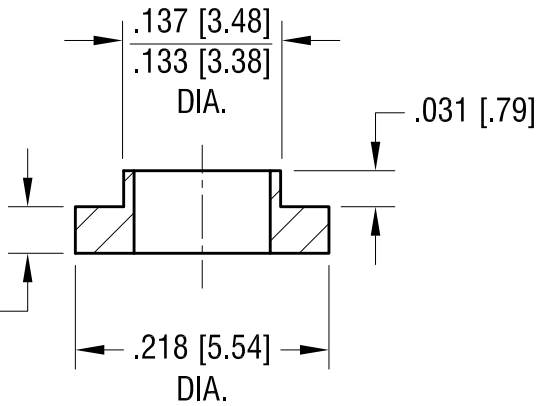


THIS DOCUMENT IS THE PROPERTY OF KEYSTONE ELECTRONICS CORP. AND SHALL NOT BE REPRODUCED, DISTRIBUTED OR USED AS A BASIS FOR MANUFACTURE WITHOUT PRIOR WRITTEN PERMISSION FROM KEYSTONE ELECTRONICS CORP.

ACTUAL SIZE



$\pm .005$  [ $\pm 0.13$ ]  
 $\emptyset .117$  [ $\emptyset 2.97$ ]  
 HOLE THRU



.040 [1.02]

**KEYSTONE ELECTRONICS CORP.**

www.keyelco.com • ASTORIA, N.Y. 11105-2017 • Tel (718) 956-8900

PART NAME		NYLON SHOULDER WASHER	
MATERIAL		NYLON 6/6, BLACK	
FINISH	DRN BY	DATE	
-	BOONE	6.9.83	
	APP'D	SCALE	
	LN	6X	
TOLERANCES	INCH	[MM]	CODE
DECIMAL	$\pm .005$	[ $\pm 0.13$ ]	C
ANGULAR	$\pm 1^\circ$		
UNLESS OTHERWISE SPECIFIED			DWG NO.
			<b>3049</b>

1.28.16 CHANGE AS PER ECN 16-020

A

DATE

DESCRIPTION

REV.

# Mouser Electronics

Authorized Distributor

Click to View Pricing, Inventory, Delivery & Lifecycle Information:

[Keystone Electronics:](#)

[3049](#)