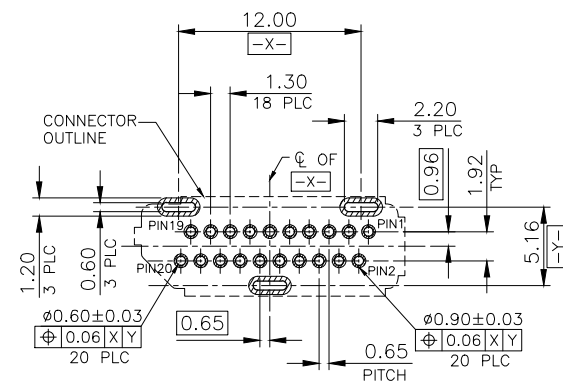
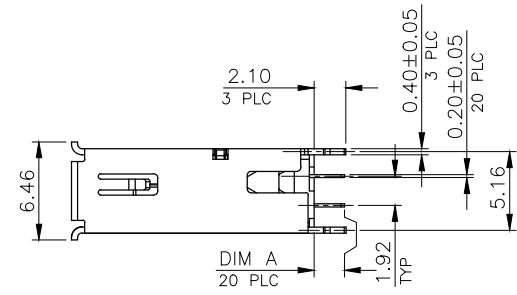
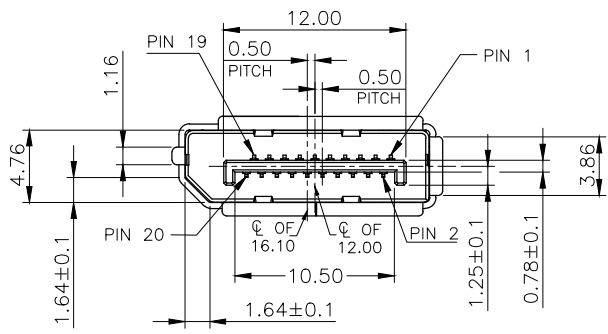
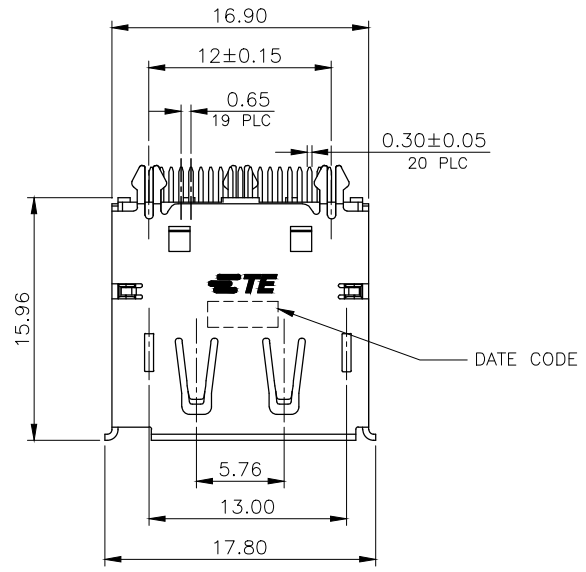


THIS DRAWING IS UNPUBLISHED. RELEASED FOR PUBLICATION
 © COPYRIGHT 2011 BY TE CONNECTIVITY. ALL RIGHTS RESERVED.

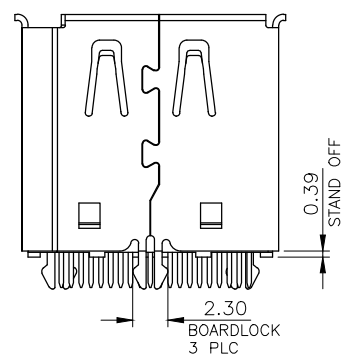
LOC DW	DIST	REVISIONS		
P	LTR	DESCRIPTION	DATE	DWN APVD
D1		REVISED PER ECR-15-005460	08MAY15	S.C. H.L.

NOTE:

- MATERIAL:
 - HOUSING/SPACER: LCP WITH 30% GF, UL94 V-0, BLACK COLOR.
 - SHELL: PHOSPHOR BRONZE
 - CONTACT: BRASS
- FINISH:
 - CONTACT:
 - (SEE TABLE) GLOD PLATED ON CONTACT AREA
 - 2.54µm [100µ"] MIN. MATTE-TIN ON SOLDER TAIL
 - 1.27µm [50µ"] MIN. NICKEL UNDERPLATE OVERALL
 - SHELL:
 - 1.27µm [50µ"] MIN. NICKEL UNDERPLATING OVERALL.
- REFLOW SOLDER CAPABLE TO 260°C PER TEC-109-201.
- LOW HALOGEN SPECIFICATION:
 - CHLORINE(CL): 900 ppm MAX.
 - BROMINE(BR): 900 ppm MAX.
 - CL + BR : 1500 ppm MAX.



RECOMMENDED P.C.B LAYOUT <TOP VIEW>
 THICKNESS: 1.60mm, TOLERANCE: ±0.05mm

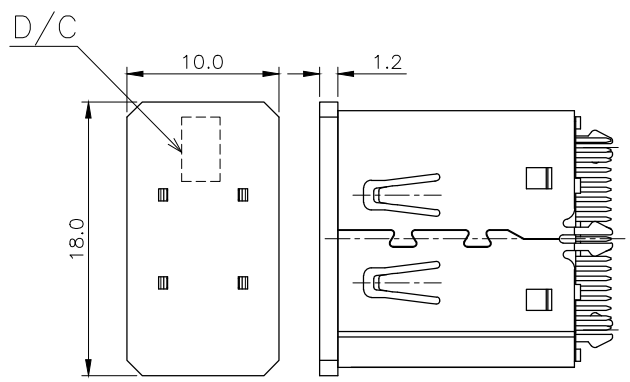
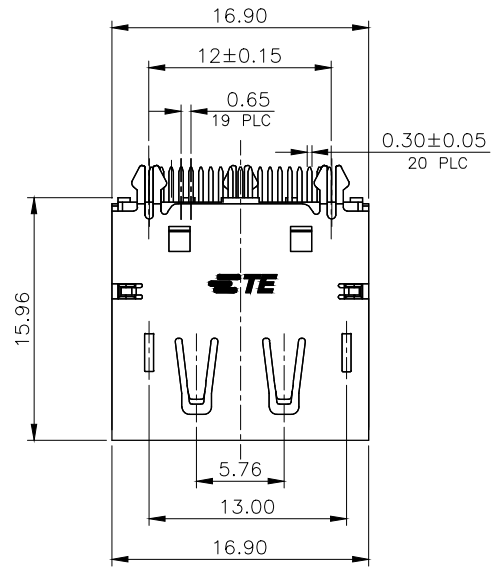


0.381µm [15µ"]	2.10	2041441-3
0.381µm [15µ"]	2.50	2041441-2
0.762µm [30µ"]	2.10	2041441-1
MIN. GOLD THICKNESS	DIM A	PART NUMBER

THIS DRAWING IS A CONTROLLED DOCUMENT.		DWN J. LAI 12DEC2011	TE Connectivity	
DIMENSIONS: mm		CHK S. CHIEN 12DEC2011		
TOLERANCES UNLESS OTHERWISE SPECIFIED:		APVD W. KODAMA 12DEC2011	NAME	
0 PLC ± - 1 PLC ± 0.3 2 PLC ± 0.2 3 PLC ± 0.15 4 PLC ± - ANGLES ± 3°		PRODUCT SPEC 108-57889	DISPLAYPORT CONNECTOR, 20 POSITION, VERTICAL, DIP TYPE	
MATERIAL SEE NOTE		APPLICATION SPEC	SIZE A3	CAGE CODE 00779
FINISH SEE NOTE		WEIGHT 2.86 GRAMS	DRAWING NO C=2041441	RESTRICTED TO
		CUSTOMER DRAWING	SCALE	SHEET 1 of 4
				REV D1

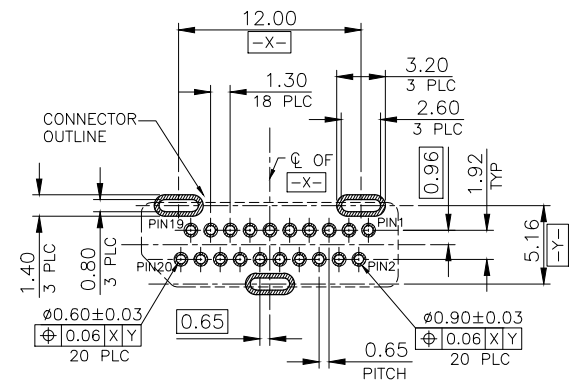
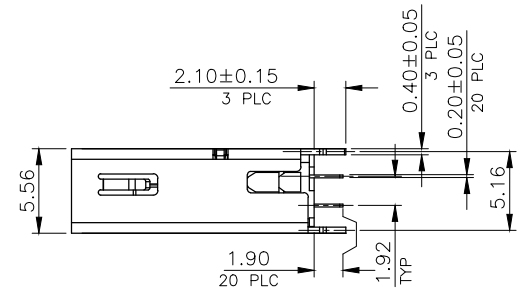
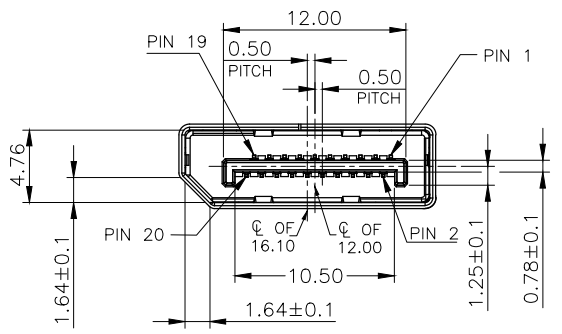
THIS DRAWING IS UNPUBLISHED. RELEASED FOR PUBLICATION
 © COPYRIGHT 2011 BY TE CONNECTIVITY. ALL RIGHTS RESERVED.

LOC	DIST	REVISIONS					
DW		P	LTR	DESCRIPTION	DATE	DWN	APVD
		-	-	SEE SHEET 1	-	-	-

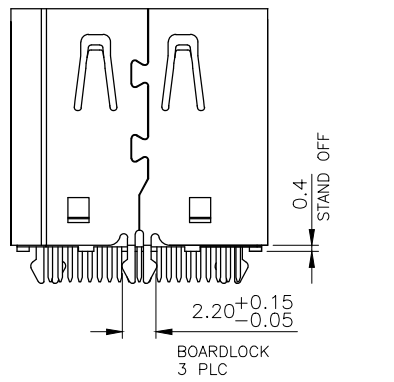


WITH CAP VIEW

- NOTE:
- MATERIAL:
 - HOUSING/SPACER: LCP WITH 30% GF, UL94 V-0, BLACK COLOR.
 - SHELL: PHOSPHOR BRONZE
 - CONTACT: BRASS
 - FINISH:
 - CONTACT:
 - (SEE TABLE) GLOD PLATED ON CONTACT AREA
 - 2.54µm [100µ"] MIN. MATTE-TIN ON SOLDER TAIL
 - 1.27µm [50µ"] MIN. NICKEL UNDERPLATE OVERALL
 - SHELL:
 - 1.27µm [50µ"] MIN. NICKEL UNDERPLATING OVERALL.
 - REFLOW SOLDER CAPABLE TO 260°C PER TEC-109-201.
 - LOW HALOGEN SPECIFICATION:
 - CHLORINE(CL): 900 ppm MAX.
 - BROMINE(BR): 900 ppm MAX.
 - CL + BR : 1500 ppm MAX.



RECOMMENDED P.C.B LAYOUT <TOP VIEW>
 THICKNESS: 1.60mm, TOLERANCE: ±0.05mm

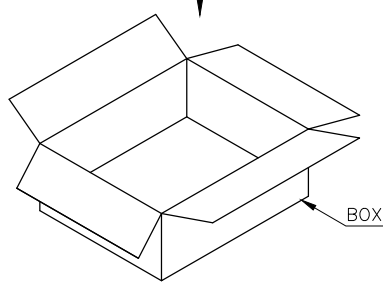
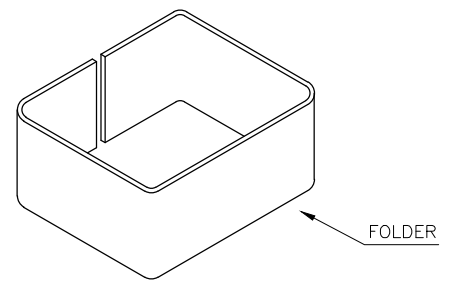
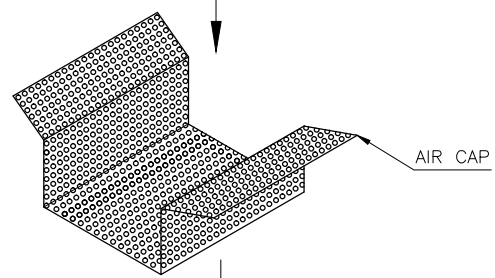
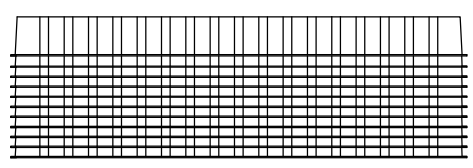
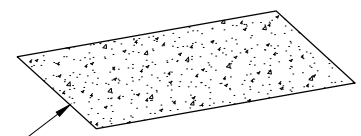
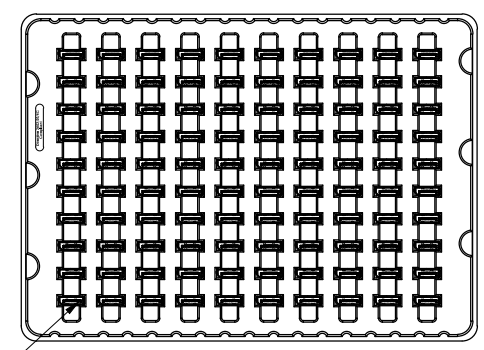
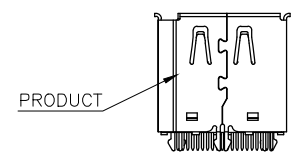


0.381µm [15µ"]	1-2041441-2
MIN. GOLD THICKNESS	PART NUMBER

THIS DRAWING IS A CONTROLLED DOCUMENT.		DWN	J. LAI	12DEC2011	 TE Connectivity	NAME DISPLAYPORT CONNECTOR, 20 POSITION, VERTICAL, DIP TYPE							
DIMENSIONS: mm		CHK	S. CHIEN	12DEC2011									
TOLERANCES UNLESS OTHERWISE SPECIFIED:		APVD	W. KODAMA	12DEC2011									
0 PLC ± - 1 PLC ± 0.3 2 PLC ± 0.2 3 PLC ± 0.15 4 PLC ± - ANGLES ± 3°		PRODUCT SPEC	108-57889										
MATERIAL	SEE NOTE	FINISH	SEE NOTE	WEIGHT	2.8 GRAMS	SIZE	A3	CAGE CODE	00779	DRAWING NO	C=2041441	RESTRICTED TO	-
CUSTOMER DRAWING				SCALE	-	SHEET	2	OF	4	REV	D1		

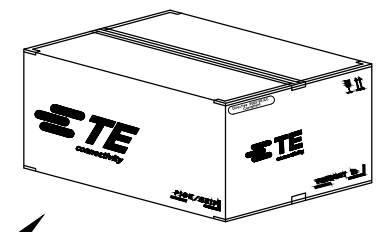
THIS DRAWING IS UNPUBLISHED. RELEASED FOR PUBLICATION
 © COPYRIGHT 2011 BY TE CONNECTIVITY. ALL RIGHTS RESERVED.

LOC	DIST	REVISIONS					
DW		P	LTR	DESCRIPTION	DATE	DWN	APVD
				SEE SHEET 1.			



NOTES:

- MATERIAL:
 TRAY: PET
 SPONGE: EPS
 AIR CAP: PE
 FOLDER: SINGLE WALL CORRUGATED.
 BOX: FIBREBOARD, CORRUGATED, DOUBLE WALL.
- DIMENSION:
 TRAY: L=300mm, W=215mm, H=20.8mm
 SPONGE: L=330mm, W=220mm, H=0.5mm
 AIR CAP: L=850mm, W=315mm, H=8mm
 FOLDER: L=1100mm, W=130mm, H=3mm
 BOX: L=325mm, W=250mm, H=232mm



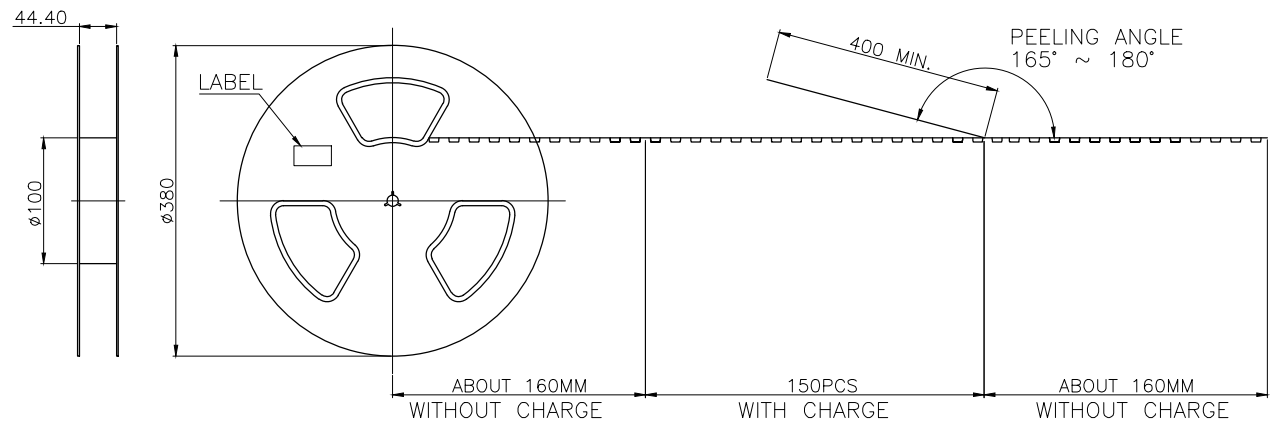
FOR PN 2041441-1,2041441-2,2041441-3

1000	10	100	2.84 Kg	5.62 Kg
PCS /BOX	TRAYS /BOX	PCS /TRAY	NET WEIGHT	GROSS WEIGHT

THIS DRAWING IS A CONTROLLED DOCUMENT.		DWN	TE Connectivity		
DIMENSIONS: mm		CHK	NAME		
TOLERANCES UNLESS OTHERWISE SPECIFIED:		APVD	DISPLAYPORT CONNECTOR, 20 POSITION, VERTICAL, DIP TYPE		
0 PLC ± -		PRODUCT SPEC	SIZE	CAGE CODE	DRAWING NO
1 PLC ± 0.3		APPLICATION SPEC	A3	00779	C=2041441
2 PLC ± 0.2		WEIGHT	RESTRICTED TO		
3 PLC ± 0.15		CUSTOMER DRAWING	SCALE	SHEET	REV
4 PLC ± -				3 of 4	D1
ANGLES ± 3'					
MATERIAL	FINISH				

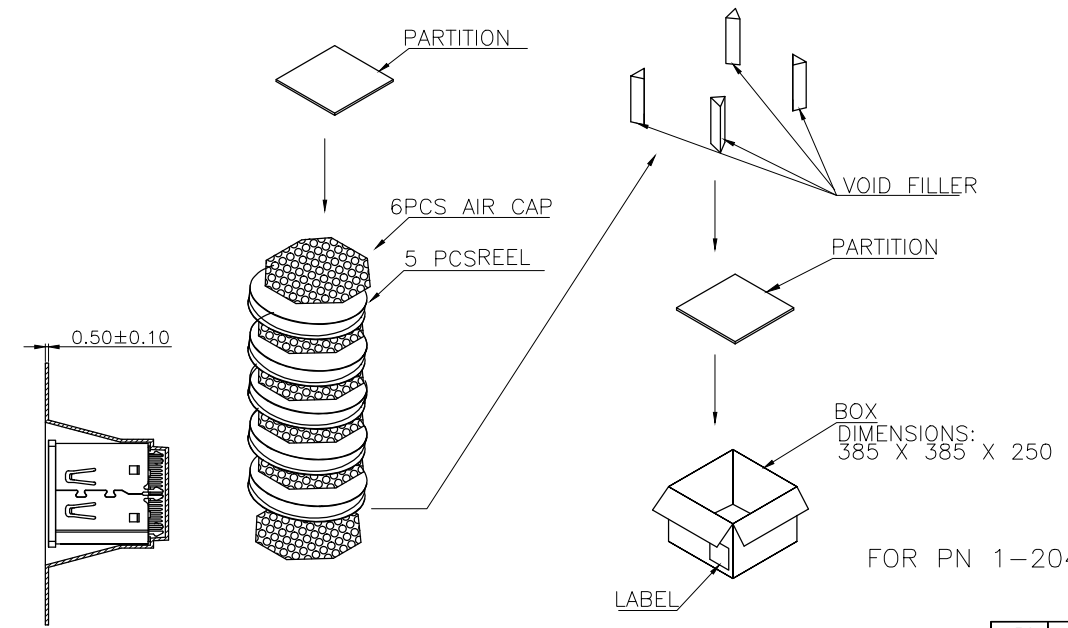
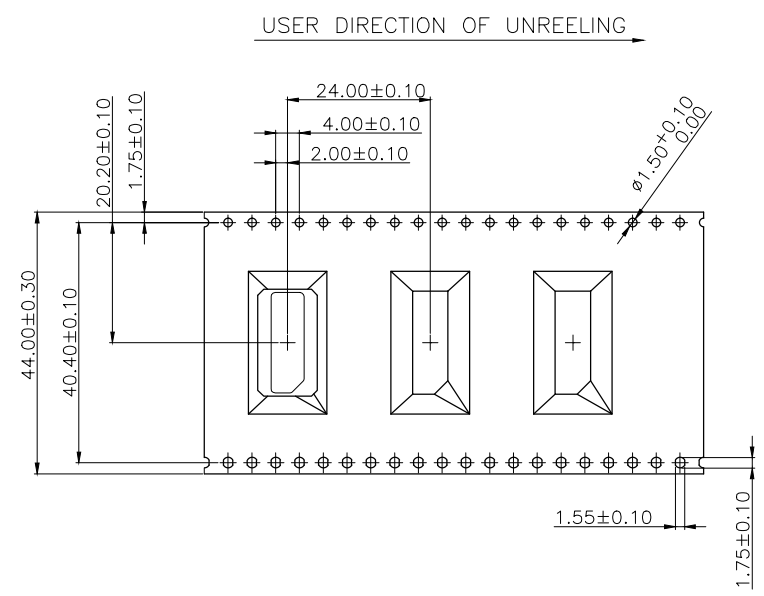
THIS DRAWING IS UNPUBLISHED. RELEASED FOR PUBLICATION
 © COPYRIGHT 2011 BY TE CONNECTIVITY. ALL RIGHTS RESERVED.

LOC	DIST	REVISIONS					
DW		P	LTR	DESCRIPTION	DATE	DWN	APVD
		-		SEE SHEET 1	-	-	-



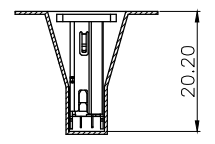
NOTES:

- MATERIAL:
 BOX: FIBREBOARD, CORRUGATED, DOUBLE WALL.
 COVER TAPE: PET, TRANSPARENT COLOR.
 CARRIER TAPE: POLYSTYRENES, BLACK COLOR.
 REEL: POLYSTYRENES, BLUE COLOR.
- PEELING STRENGTH: 0.1 ~ 1.3 N (10 ~ 130 GRAMS)
- PEELING SPEED: 300 mm/min.



FOR PN 1-2041441-2

150	5	750
PCS/REEL	REELS/BOX	PCS/BOX



THIS DRAWING IS A CONTROLLED DOCUMENT.		DWN	-	STE TE Connectivity	
DIMENSIONS: MM		CHK	-		
TOLERANCES UNLESS OTHERWISE SPECIFIED:		APVD	-	NAME	
0 PLC ±		PRODUCT SPEC		DISPLAYPORT CONNECTOR, 20 POSITION, VERTICAL, DIP TYPE	
1 PLC ±		APPLICATION SPEC		SIZE	A3
2 PLC ±		WEIGHT		CAGE CODE	00779
3 PLC ±		CUSTOMER DRAWING		DRAWING NO	C=2041441
4 PLC ±				RESTRICTED TO	-
ANGLES ±				SCALE	-
MATERIAL SEE NOTE				SHEET	4 of 4
				REV	D1

Mouser Electronics

Authorized Distributor

Click to View Pricing, Inventory, Delivery & Lifecycle Information:

[TE Connectivity:](#)

[2041441-2](#)