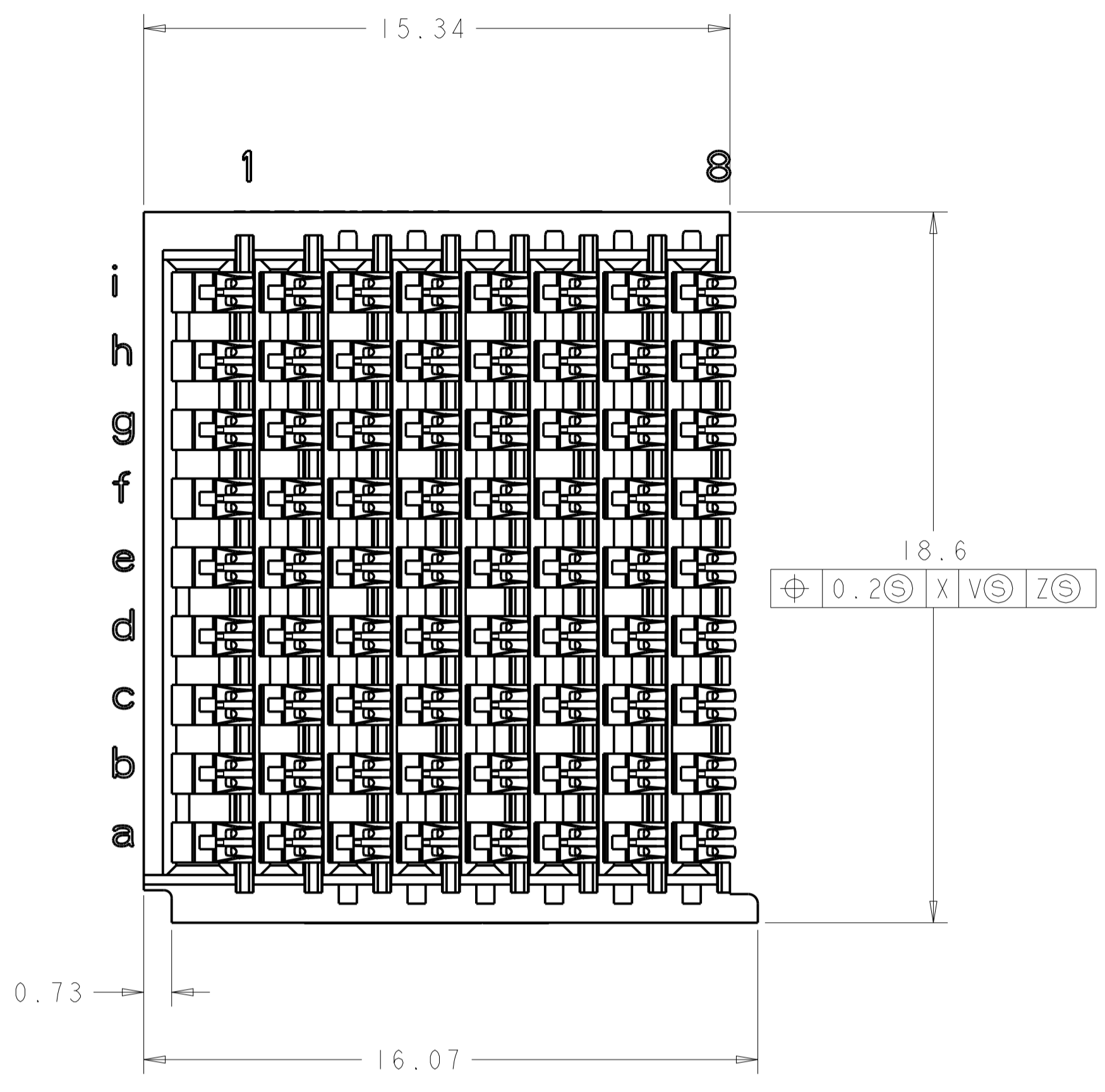
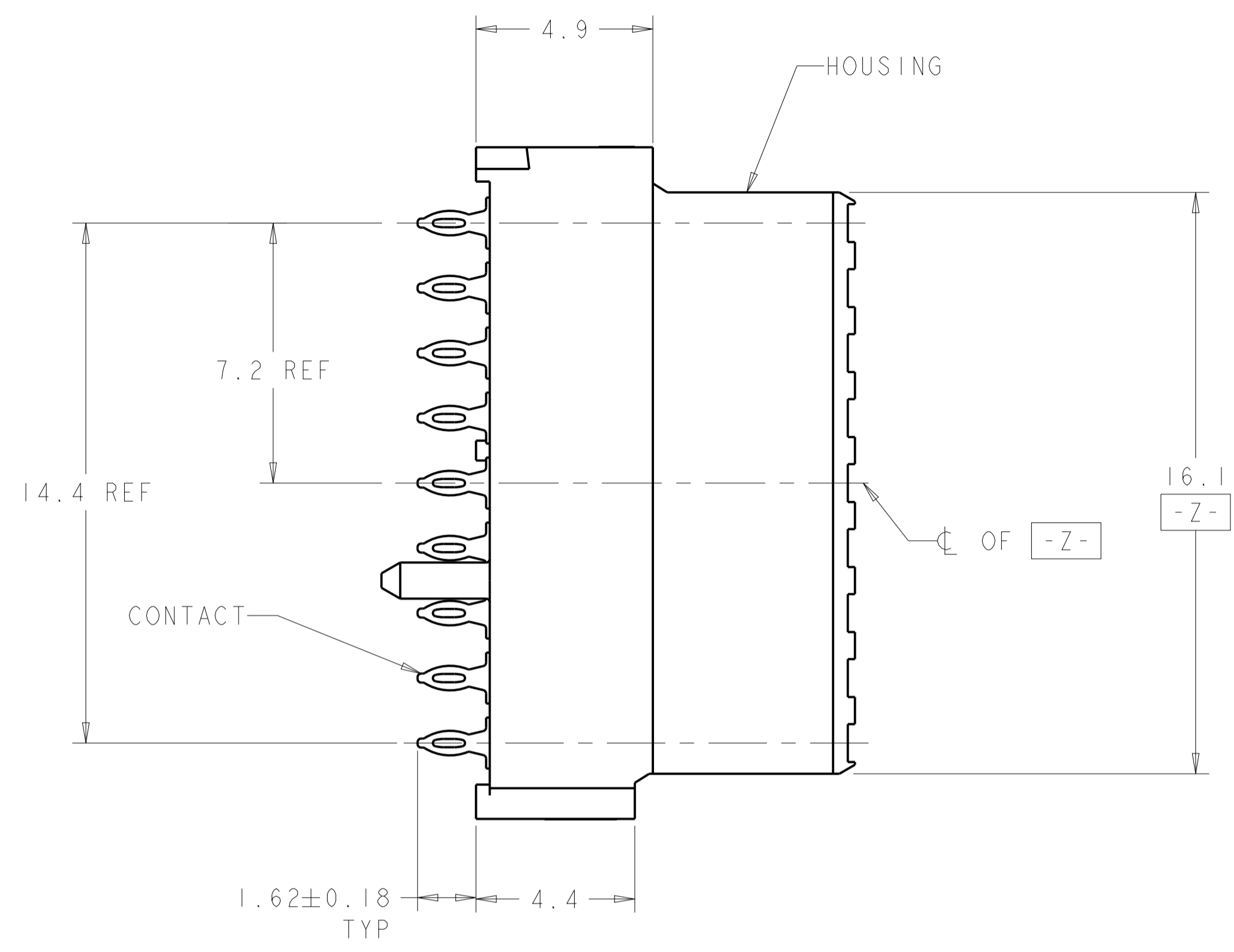
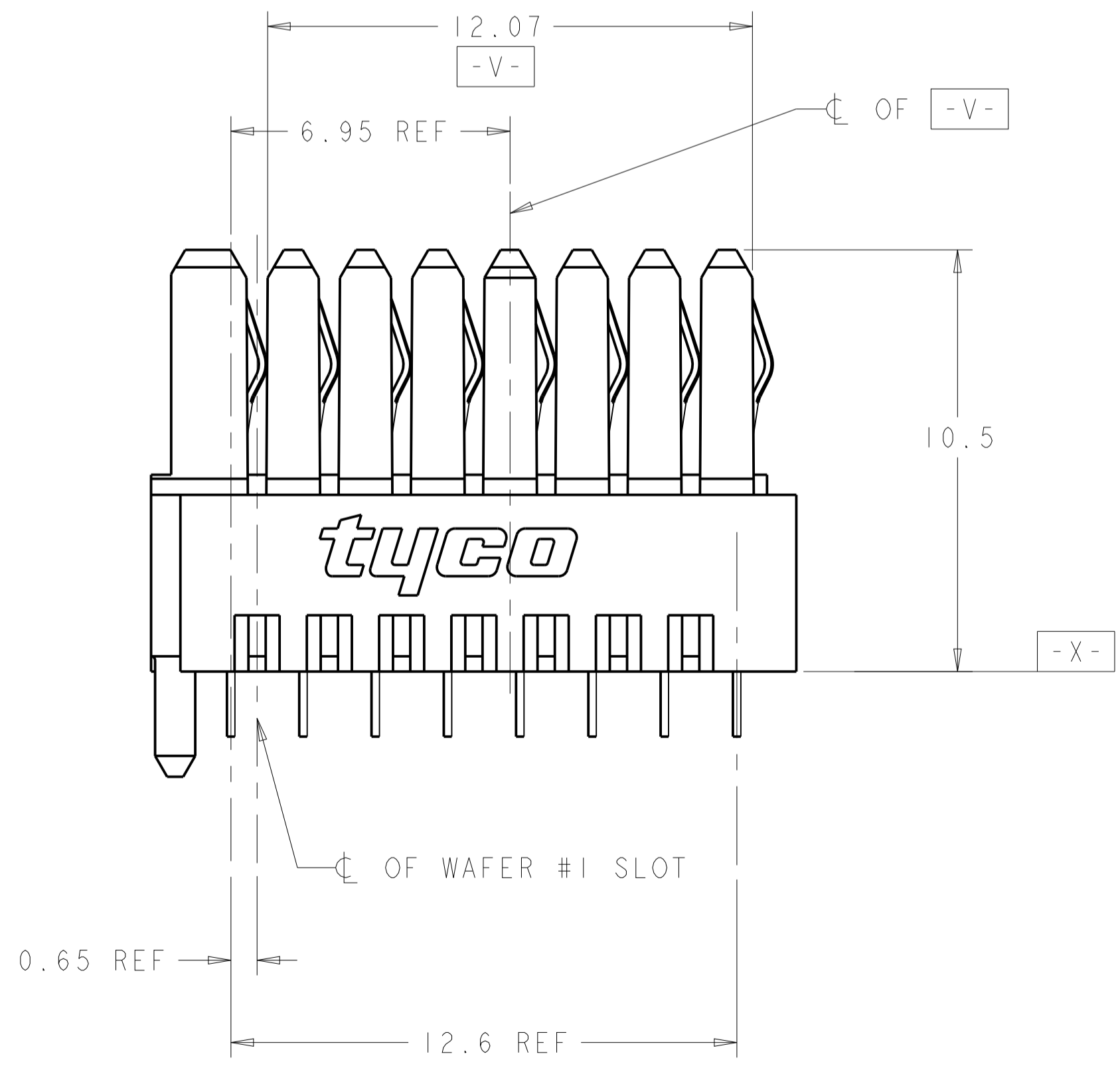
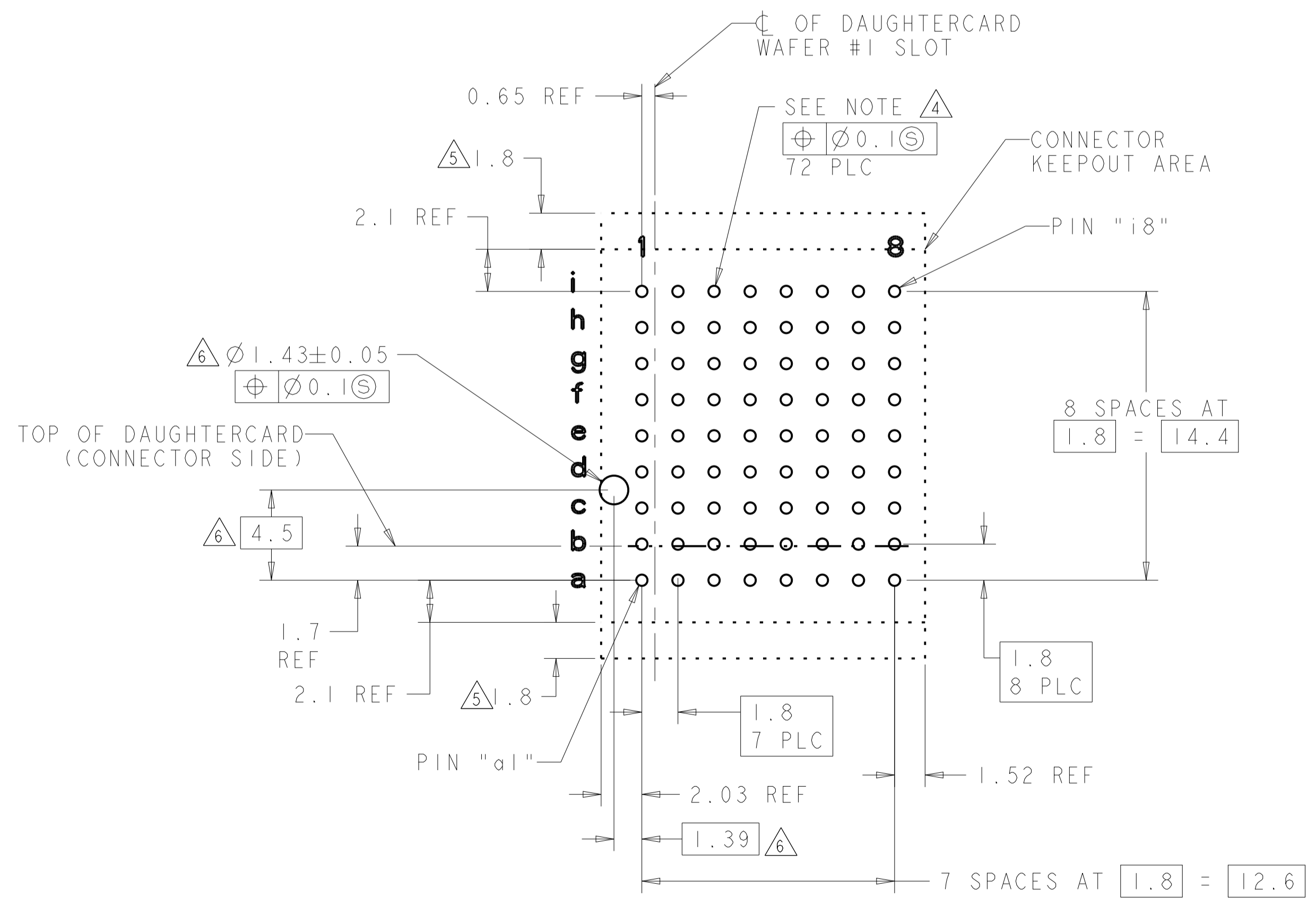


LOC		DIST		REVISIONS			
				DESCRIPTION	DATE	DWN	APVD
		F	REV PER ECO	14-003443	3-21-14	CT	DH



- 1 HOUSING: LCP, UL94V0, COLOR: BLACK. CONTACT: PHOSPHOR BRONZE.
- 2 FINISH: 1.27µm GOLD IN CONTACT AREA 1.27µm MIN. TIN-LEAD ON PCB TAIL OVER 3.81µm MIN. NICKEL OVER ALL.
- 3 FINISH: 1.27µm GOLD IN CONTACT AREA 1.27µm MIN. TIN ON PCB TAIL OVER 3.81µm MIN. NICKEL OVER ALL.
- 4 PLATED THROUGH HOLE PER TE SPEC. 114-13056, FIGURE 4.
- 5 ADDITIONAL CONNECTOR-SIDE KEEP-OUT AREA REQUIRED IF CONNECTOR-SIDE EXTRACTION TOOL IS TO BE USED.
- 6 PLASTIC ALIGNMENT PIN MUST BE REMOVED FLUSH TO HOUSING BODY PRIOR TO INSERTION INTO RTM LAYOUT



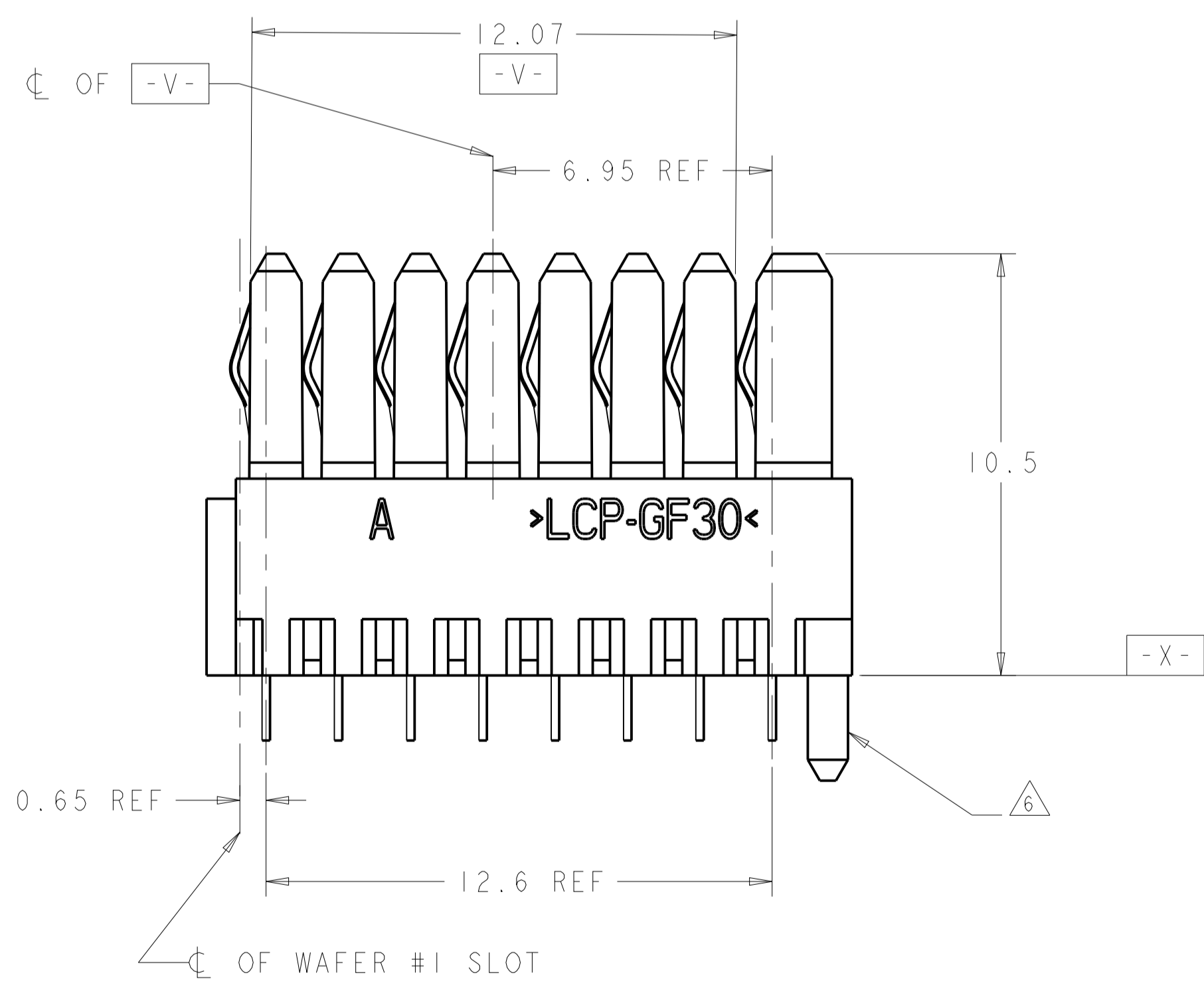
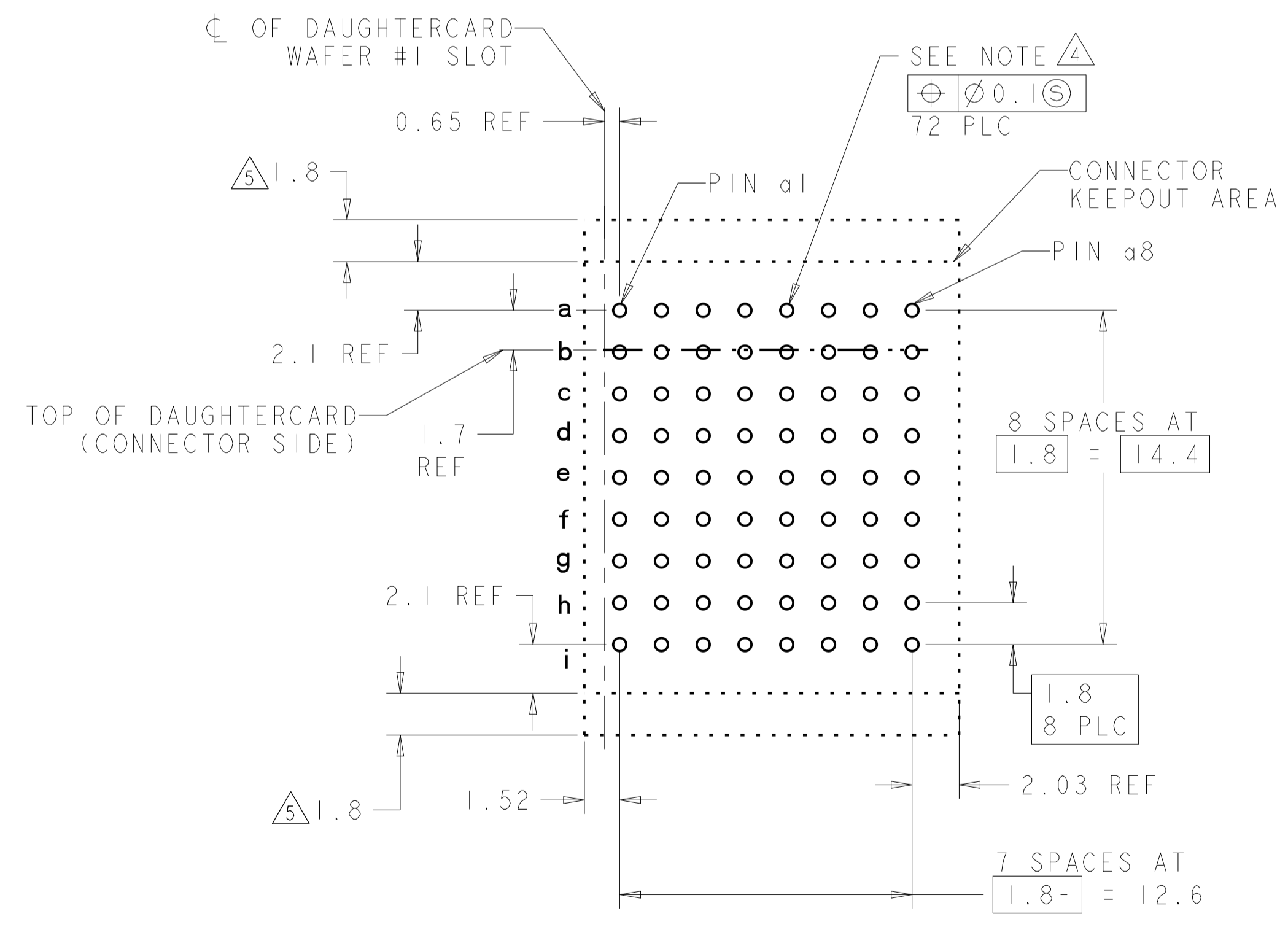
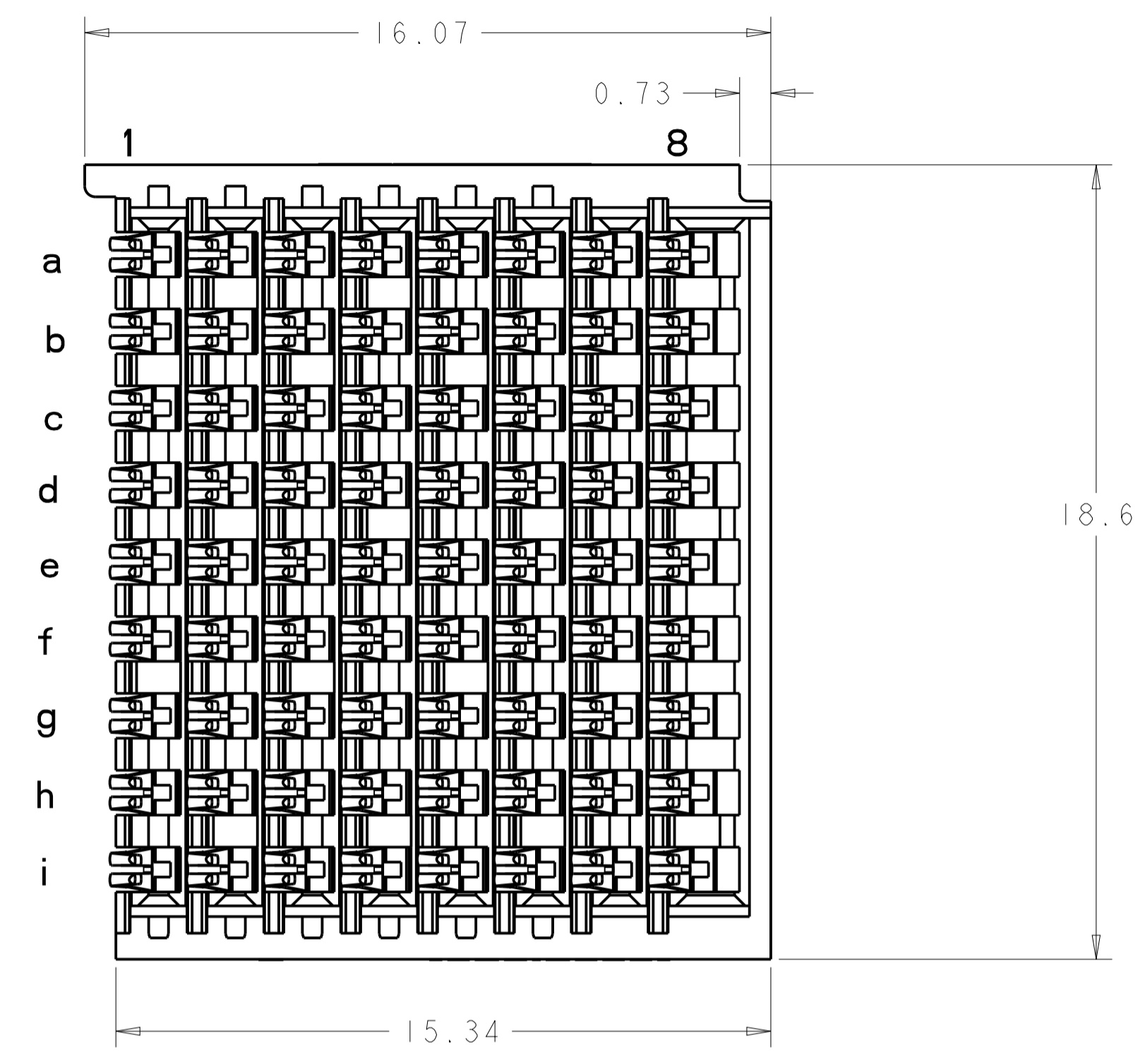
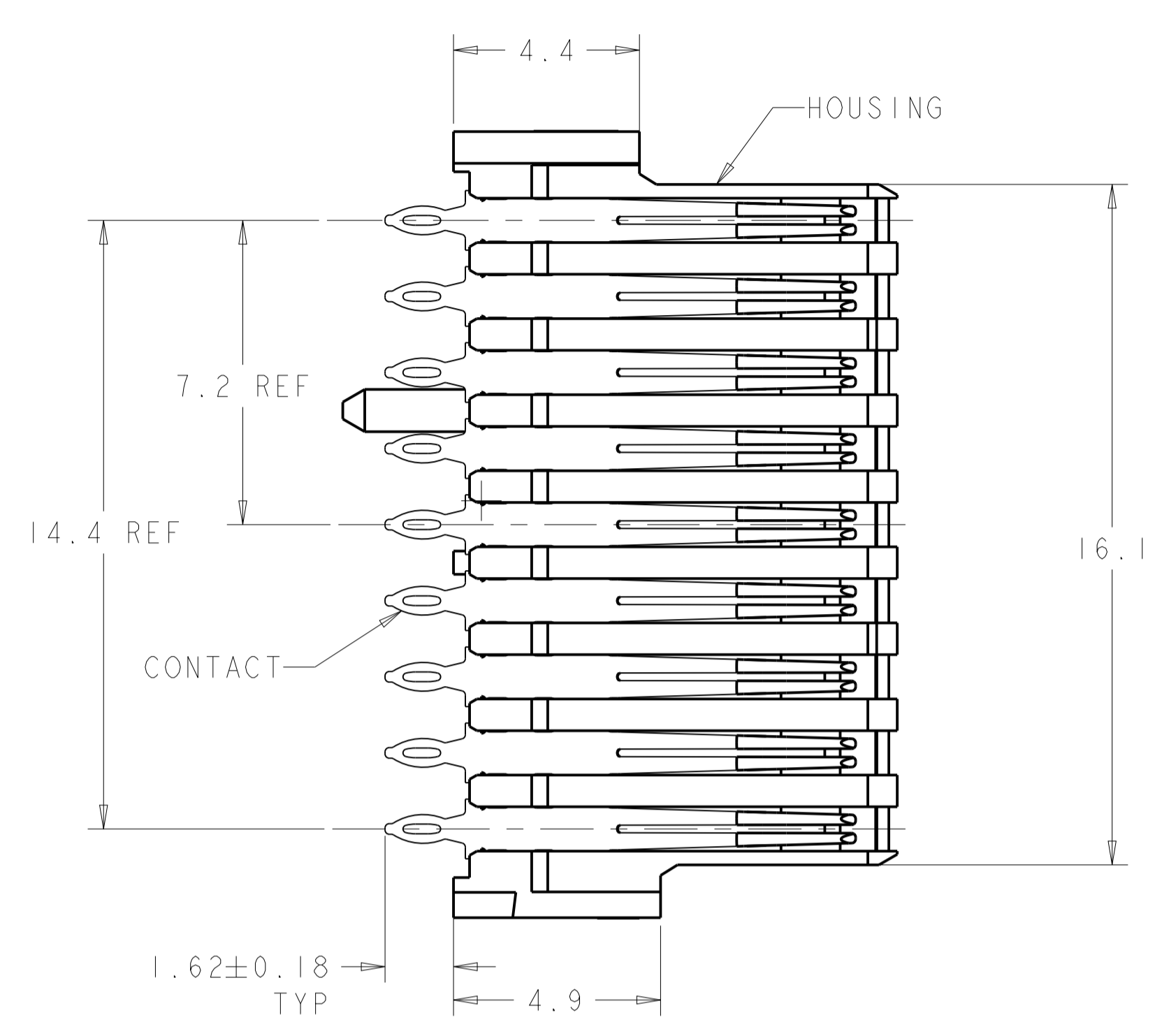
PC BOARD LAYOUT (CONNECTOR SIDE)
SEE SHEET 2 FOR RTM)
SCALE 5:1

3	1410186-2
2	1410186-1
PLATING	PART NO

THIS DRAWING IS A CONTROLLED DOCUMENT.		DWN	30SEP2003	TE Connectivity
DIMENSIONS: mm		FILE	30SEP2003	
TOLERANCES UNLESS OTHERWISE SPECIFIED:		CHK	J.CONSO1	NAME CONNECTOR ASSEMBLY, BACKPLANE VERTICAL RECEPTACLE, HALF, LEFT END, 20.3mm, MultiGig RT 2
0 PLC ±		APVD	30SEP2003	
1 PLC ±0.5		PRODUCT SPEC		SIZE CAGE CODE DRAWING NO RESTRICTED TO A100779C=1410186
2 PLC ±0.13		APPLICATION SPEC		
3 PLC ±		WEIGHT		SCALE 8:1 SHEET 1 OF 2 REV F
4 PLC ±		CUSTOMER DRAWING		
ANGLES ±1°		FINISH		
MATERIAL		SEE TABLE		

LOC		DIST		REVISIONS			
GP	00	P	LTN	DESCRIPTION	DATE	DWN	APVD
		-		SEE SHEET 1			

REAR TRANSITION MODULE APPLICATION



RTM PC BOARD LAYOUT
 (CONNECTOR SIDE)
 SCALE 5:1

THIS DRAWING IS A CONTROLLED DOCUMENT.		DWN	30SEP2003		TE Connectivity
DIMENSIONS:		CHK	30SEP2003		NAME
mm		TOLERANCES UNLESS OTHERWISE SPECIFIED:		CONNECTOR ASSEMBLY, BACKPLANE	
0 PLC ±		0.5		VERTICAL RECEPTACLE, HALF, LEFT END,	
1 PLC ±0.5		0.13		20.3mm, MultiGig RT 2	
2 PLC ±		0.13		SIZE	
3 PLC ±		0.13		CAGE CODE	
4 PLC ±		0.13		DRAWING NO	
ANGLES ±		1°		RESTRICTED TO	
FINISH		114-13056		A100779C=1410186	
MATERIAL		WEIGHT		SCALE	
SEE TABLE		CUSTOMER DRAWING		8:1	
				SHEET 2 OF 2	
				REV F	

Mouser Electronics

Authorized Distributor

Click to View Pricing, Inventory, Delivery & Lifecycle Information:

[TE Connectivity:](#)

[1410186-1](#)